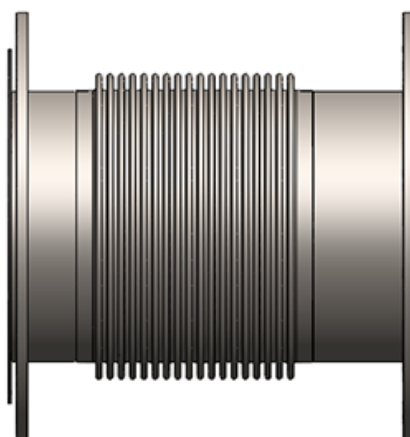


## EXPANSION JOINTS - SINGLE-PLY



### Specifications for Single Ply Bellows (Expansion Joints)

NOMINAL SIZE (INCHES)	PSIG	TEMP (°F)	AXIAL COMP	LATERAL OFFSET	AXIAL SPRING RATE LBS./IN	LATERAL SPRING RATE LBS./IN	FATIGUE (CYCLE)
3	5	1200°	2.0	0.50	156	53	10,000
4	5	1200°	2.0	0.50	111	51	10,000
5	5	1200°	2.0	0.50	202	133	10,000
6	5	1200°	2.0	0.50	239	213	10,000
8	5	1200°	2.0	0.50	317	488	10,000
10	5	1200°	2.0	0.25	322	854	10,000
12	5	1200°	2.0	0.25	385	1,428	10,000
14	5	1200°	2.0	0.25	308	1,448	10,000
16	5	1200°	2.0	0.25	351	2,114	10,000
18	5	1200°	2.0	0.25	393	2,958	10,000
20	5	1200°	2.0	0.25	436	3,996	10,000
22	5	1200°	2.0	0.25	478	5,255	10,000
24	5	1200°	2.0	0.25	520	6,753	10,000

All dimensions are in inches. Larger diameters available upon request. Multi-ply Bellows are available. Please contact sales@inExhaust.com